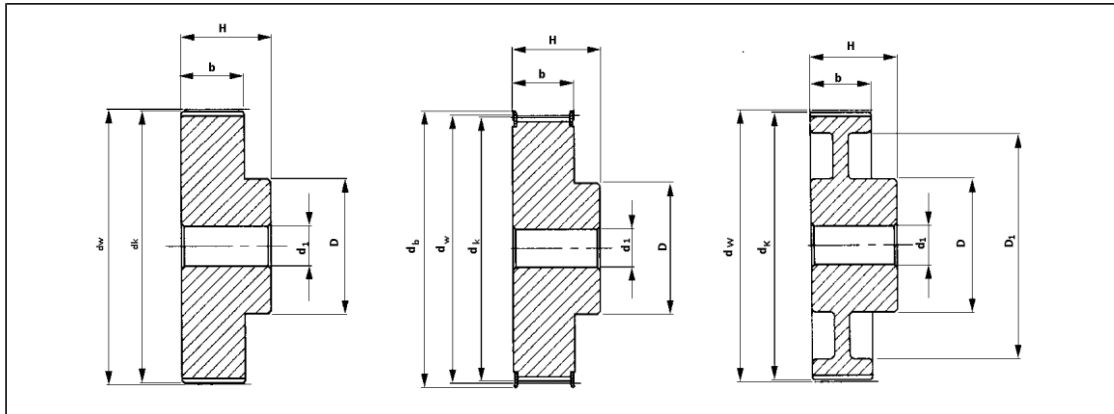




# HTD PULLEY - 5M PITCH



BELT WIDTH 25 MM						
Code	Teeth	dk	b	D	H	Kg
12-5M-25	12	17.96	30	13	36	0.050
14-5M-25	14	21.14	30	14	36	0.070
15-5M-25	15	22.73	30	16	36	0.080
16-5M-25	16	24.32	30	16.5	36	0.100
18-5M-25	18	27.51	30	20	36	0.120
20-5M-25	20	30.69	30	23	36	0.160
21-5M-25	21	32.28	30	24	38	0.190
22-5M-25	22	33.87	30	25.5	38	0.210
24-5M-25	24	37.06	30	27	38	0.250
26-5M-25	26	40.24	30	30	38	0.300
28-5M-25	28	43.42	30	30.5	38	0.350
30-5M-25	30	46.60	30	35	38	0.420
32-5M-25	32	49.79	30	38	38	0.480
36-5M-25	36	56.16	30	38	38	0.590
40-5M-25	40	62.52	30	38	38	0.740
44-5M-25	44	68.89	30	38	40	0.320
48-5M-25	48	75.25	30	38	40	0.275
60-5M-25	60	94.35	30	50	40	0.435
72-5M-25	72	113.45	30	50	40	0.525