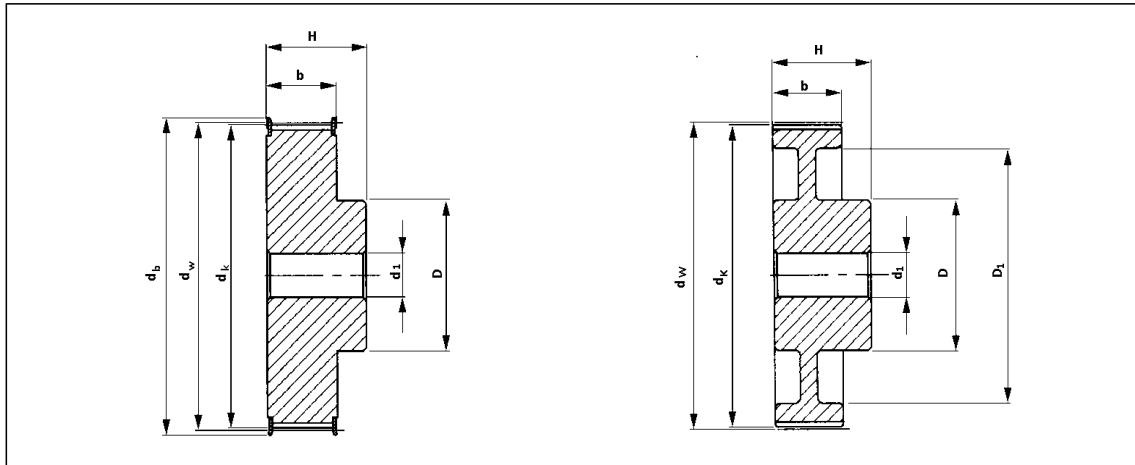




HTD PULLEY- 5M PITCH



BELT WIDTH 15MM

Code	Teeth	dk	b	D	H	Kg
12-5M-15	12	17.96	20.5	13	26	0.04
14-5M-15	14	21.14	20.5	14	26	0.05
15-5M-15	15	22.73	20.5	16	26	0.06
16-5M-15	16	24.32	20.5	16.5	26	0.07
18-5M-15	18	27.51	20.5	20	26	0.09
20-5M-15	20	30.69	20.5	23	26	0.12
21-5M-15	21	32.28	20.5	24	26	0.13
22-5M-15	22	33.87	20.5	25.5	26	0.14
24-5M-15	24	37.06	20.5	27	28	0.18
26-5M-15	26	40.24	20.5	30	28	0.22
28-5M-15	28	43.42	20.5	30.5	28	0.25
30-5M-15	30	46.60	20.5	35	28	0.30
32-5M-15	32	49.79	20.5	38	28	0.35
36-5M-15	36	56.16	20.5	38	28	0.43
40-5M-15	40	62.52	20.5	38	28	0.52
44-5M-15	44	68.89	20.5	38	30	0.23
48-5M-15	48	75.25	20.5	38	30	0.19
60-5M-15	60	94.35	20.5	50	30	0.30
72-5M-15	72	113.45	20.5	50	30	0.38